

## CASE+

### THE INNOVATIVE HIGH-SPEED CASE PACKER WITH UNPRECEDENTED LEVELS OF FLEXIBILITY

Plusline lines are now complemented with a range of flexible and high performance case packers.

#### HIGHER PERFORMANCE

Maximum speed:

- **Case+ 15:** 15 cases per minute
- **Case+ 22:** 22 cases per minute
- **Case+ 40:** 30+ cases per minute

KDF infeed: continuous and automatic (optional)

Case sealing: hot-melt glue

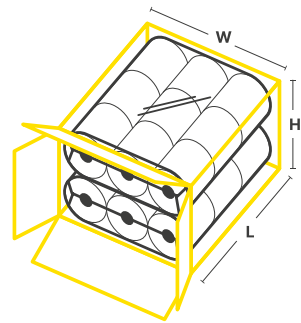
#### MAXIMUM FLEXIBILITY

Capacity range:

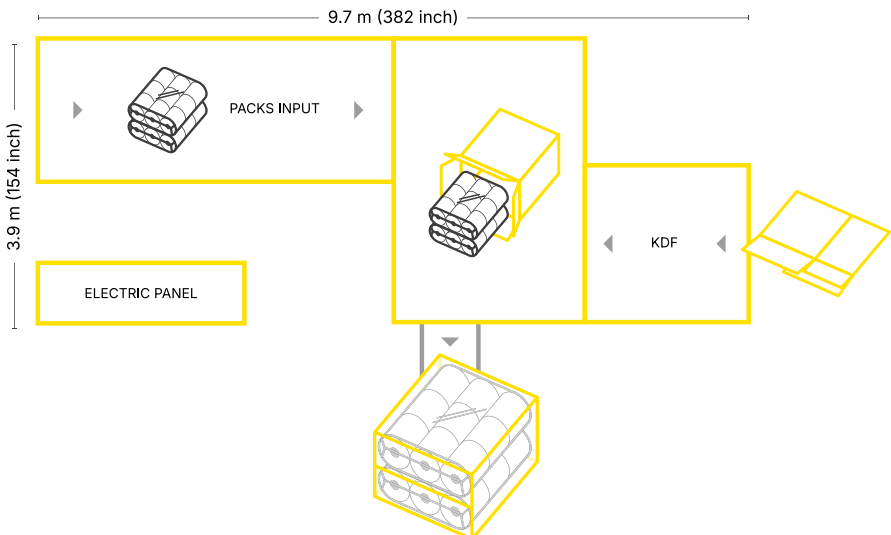
- **W 290mm-820mm** (11.4-32.3 inch)
- **L 230mm-610mm** (9.1-24 inch)
- **H 210mm-560mm** (8.3-22 inch)

Product dimensions at infeed:

- **W 90mm-345mm** (3.5-13.6 inch)
- **L 90mm-610mm** (3.5-24 inch)
- **H 70mm-460mm** (2.8-18.1 inch)



#### COMPACT LAYOUT





# Plusline

## **\_ Bologna**

Via Balzani, 14/a - 40069 Zola Predosa (BO) - ITALY  
Ph. +39 051 5881300

## **\_ Mugnano**

Via di Mugnano, 815 - 55100 Lucca (LU) - ITALY  
Ph. +39 051 5881300

## **\_ Green Bay**

Futura North America Inc.  
1040 Centennial St - 54304 Green Bay, WI - USA

info@plusline.it - www.plusline.it

**Make it simple.**